

Multiple Models

When is it a good idea to use multiple models in a design file?

Pond Cross Sections

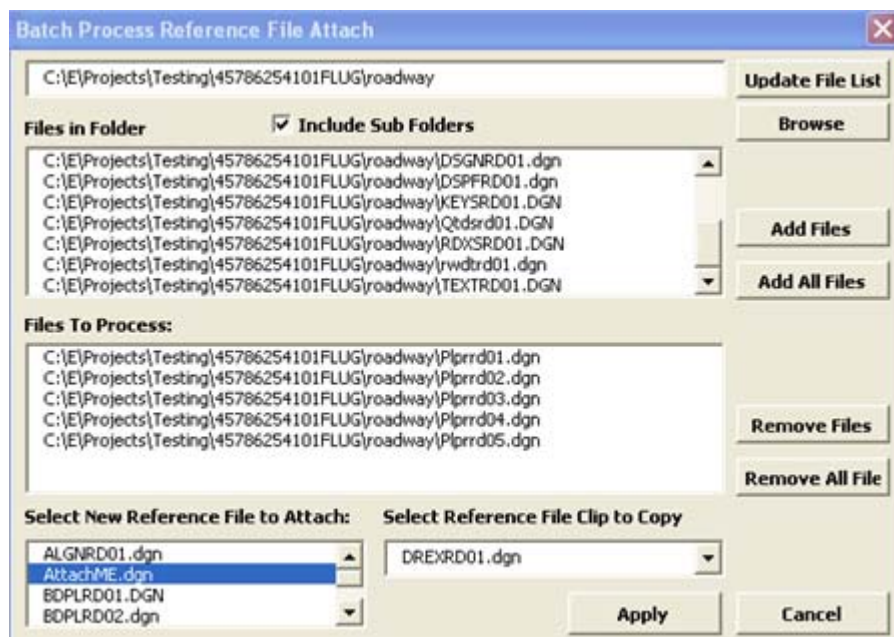
From a 2d proposed pond contour file you can create a 3d dtm and cut the existing ground and proposed pond at the same time.

Working Alignments for Drainage Structure Cross sections

For each drainage basin your project has you will also have a drainage structure cross section design file. Set up a working alignment unique to each of these basins. This makes drawing proposed drainage very easy and efficient. If the proposed road changes there is no

CadPilot

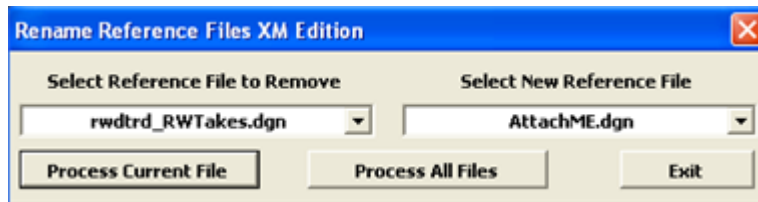
Batch Reference File Attach



This is a great tool to use if you have a reference file that needs to be attached to multiple sheets.

Make sure that the Reference clip file you are using does not have multiple Models in it, I will explain.

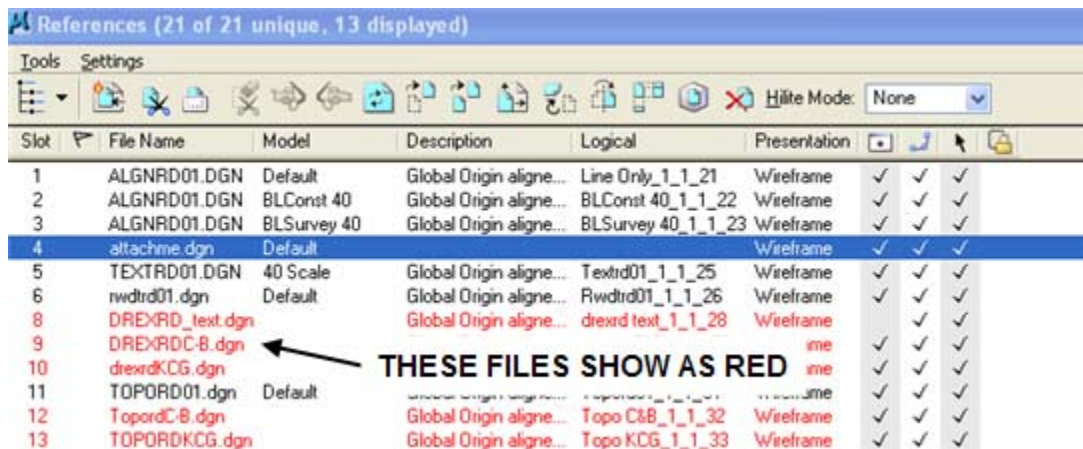
Rename Reference Files



This tool works when you have a reference file that was attached and then at some point that reference file was deleted or renamed and now shows up as RED in the reference dialog box.

The Left side drop down menu shows all reference files attached to the file including reference files that have been renamed or deleted, i.e. show up as RED in the reference dialog.

The Right side drop down menu shows All design files in the current working directory. This is where you select to file you want to remap to the reference file that is missing in the reference dialog.



Reference Raster Clean Up

Use this tool prior to running electronic delivery.

Change Display Order

- You know when you have those pieces of text that plot behind the line work and you can't read it! This is the fix.

Lock New Elements

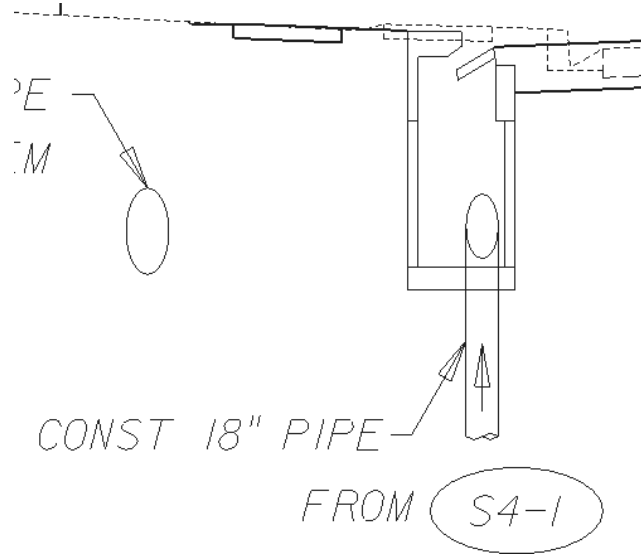
Cross Section Elements Lock tool

MicroStation Batch Process

- With this tool you can create VBA's to turn off levels in reference files in a batch process.
- Set Level Symbology

Use Accudraw to

- Center element between two lines instead of drawing construction lines. Example, the trunk line of a drainage system has been adjusted and the cross section needs to be updated. Yes you could redraw the entire section with ASAD or Geopak drainage but for one or two cross sections it is much faster to fix it by hand.

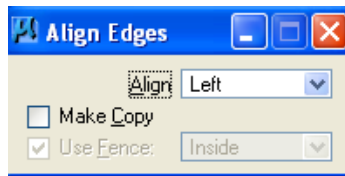
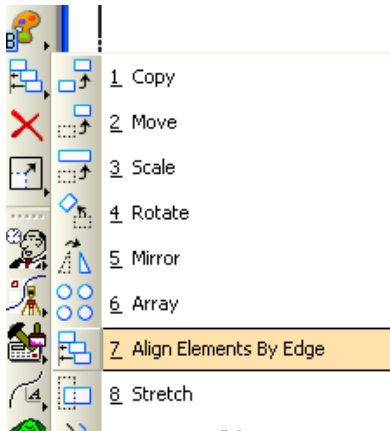


- Align elements like text.

STA. 2542+90.87 (38.25 LT)
CONST INLET TYPE P-5
INDEX NO. 200, 211
INLET EL. 95.73
FL 90.85 (AH)
FL 90.85 (BK)

7 96.25

Use **Align Elements By Edge** tool to align text.



STA. 2542+90.87 (38.25 LT)
CONST INLET TYPE P-5
INDEX NO. 200, 211
INLET EL. 95.73
FL 90.85 (AH)
FL 90.85 (BK)

7 96.25

Set up a test project

I would recommend setting up a fake project with a few files and sheets from each component so you practice and test applications and processes. It is much faster to test a new version of ED on a small project than to try and run the entire process on a large project or worse you run it on the original project and something goes wrong and you mess up the project.